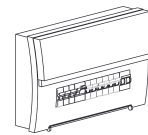


Linear B Reflector 3-F

WARNING ⚡

1. Switch off before installation.
2. Switch on only after complete installation and examination of the circuit.
3. Professional electrician for installation and maintenance only.

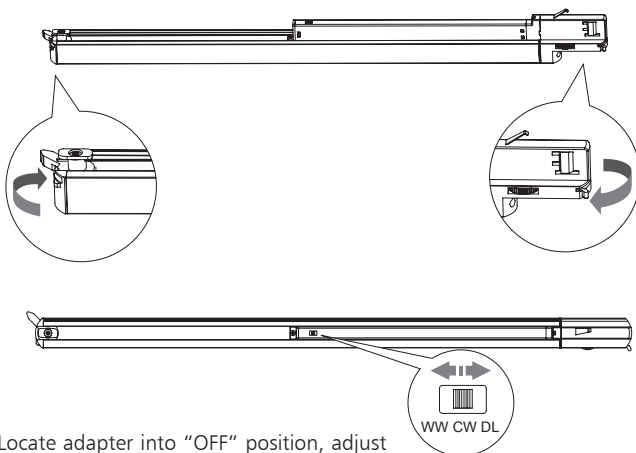


**Turn Off
Power Supply**

Turn Off power supply before starting any installation. Read instructions & check you have all the tools & accessories to complete the installation correctly.

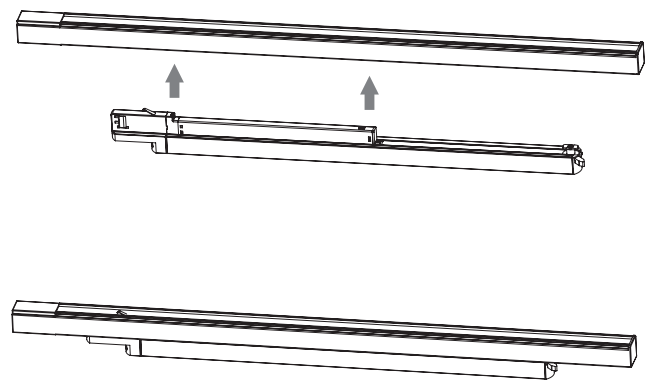
Notice: the luminaire with 3 circuits adaptor.

Step 1



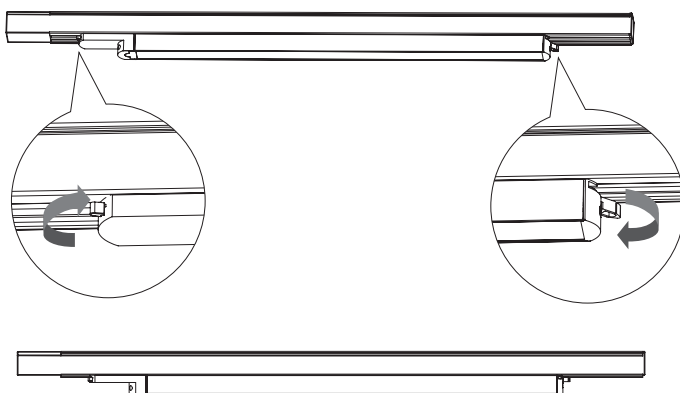
Locate adapter into "OFF" position, adjust the clasp to make it parallel with the track, select preferred CCT for C3 version only.

Step 2



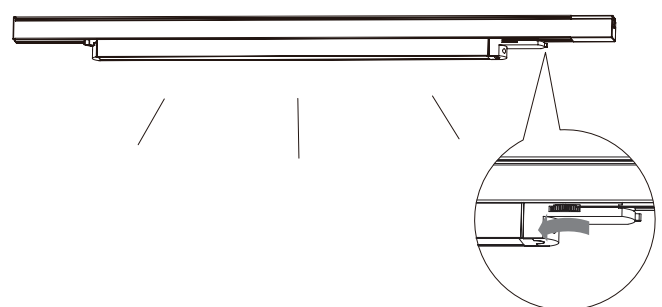
Install the track light into track bar.

Step 3



Rotate the clasp to ensure the light has been fixed with the track well.

Step 4



Adjust the rotary switch to the preferred circuit, turn on the power.